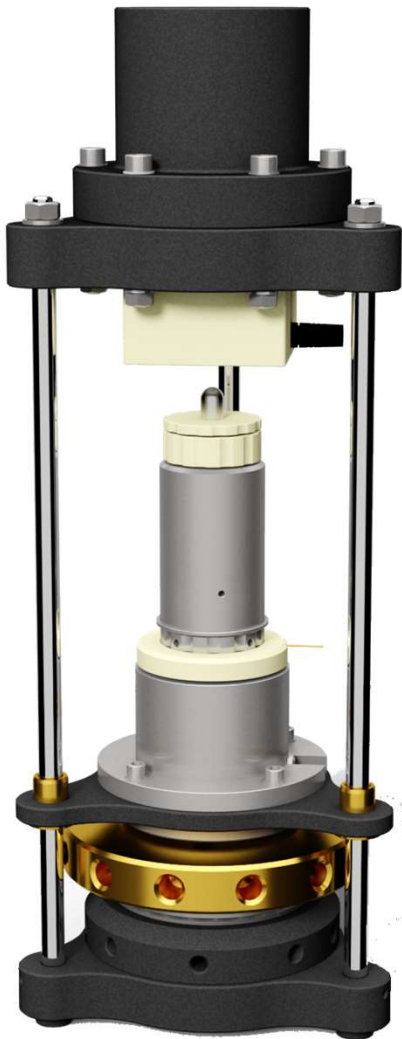


CompreFrame

Spring-loaded 30 kN pressure frame



The CompreFrame is a **cell stand** for all types of CompreCells (CompreCell 6/12, CompreCell DP and CompreCell Pouch) enabling manual pressure application to **solid electrolyte powders, pellets, all-solid-state batteries (ASSB) and pouch cells**.

A display unit always shows the current force values (stand-alone operation possible), but **stack pressure** and **sample temperature** can be recorded using the CompreDriveControl software.

The CompreFrame offers **automated temperature control**, if used with the optional H- or HC Add-On.

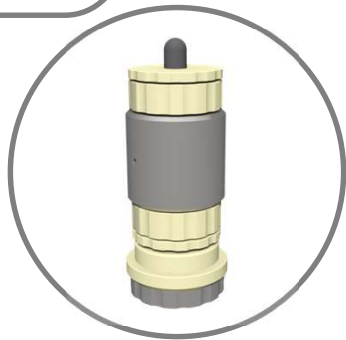
Different spring assemblies and pressure sensors are available for best accuracy.

- **Cell stand for all CompreCell types**
- **Applying pressure to samples and solid state batteries up to 1 GPa**
- **Cycling of all-solid-state batteries at well-defined stack-pressures and sample temperatures**

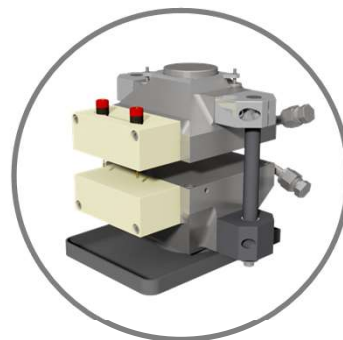
Available accessories



CompreCell 12



CompreCell 12-DP



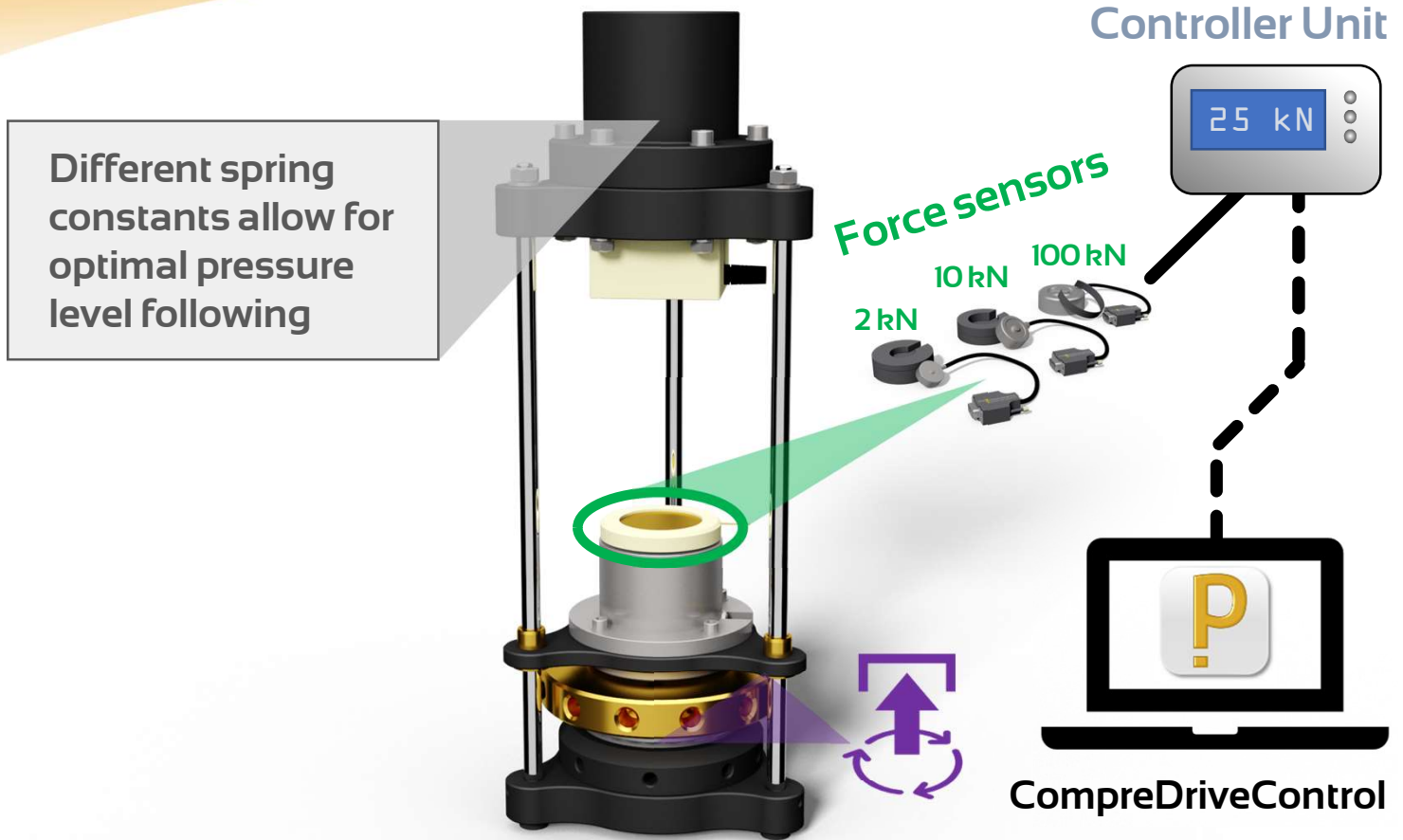
CompreCell Pouch 10S



H-Add-On



CompreFrame



Technical Specifications

Compatible sample cells	CompreCell 6/12, CompreCell DP, CompreCell Pouch 10S HC with adaptor
Maximum Force / Pressure	30 kN / 265 MPa (12 mm), 1 GPa (6 mm)
Force sensors available	100 kN / 10 kN / 2 kN (0.1 % linearity)
Cell temperature limits	-40 °C to 250 °C
Compatible temperature options	HC-Add-On: -30 °C to 230 °C H-Add-On: RT to 250 °C Temperature chamber -30 °C to 90 °C
Dimensions and weight	19x19x44/52 cm (cup/coil spring) ca. 16 kg
Torque needed for 20 / 30 kN	35 Nm / 50 Nm
Force needed for 20 / 30 kN at lever	90 N / 130 N
Monitoring and control software	CompreDriveControl

Supported by:



on the basis of a decision by the German Bundestag